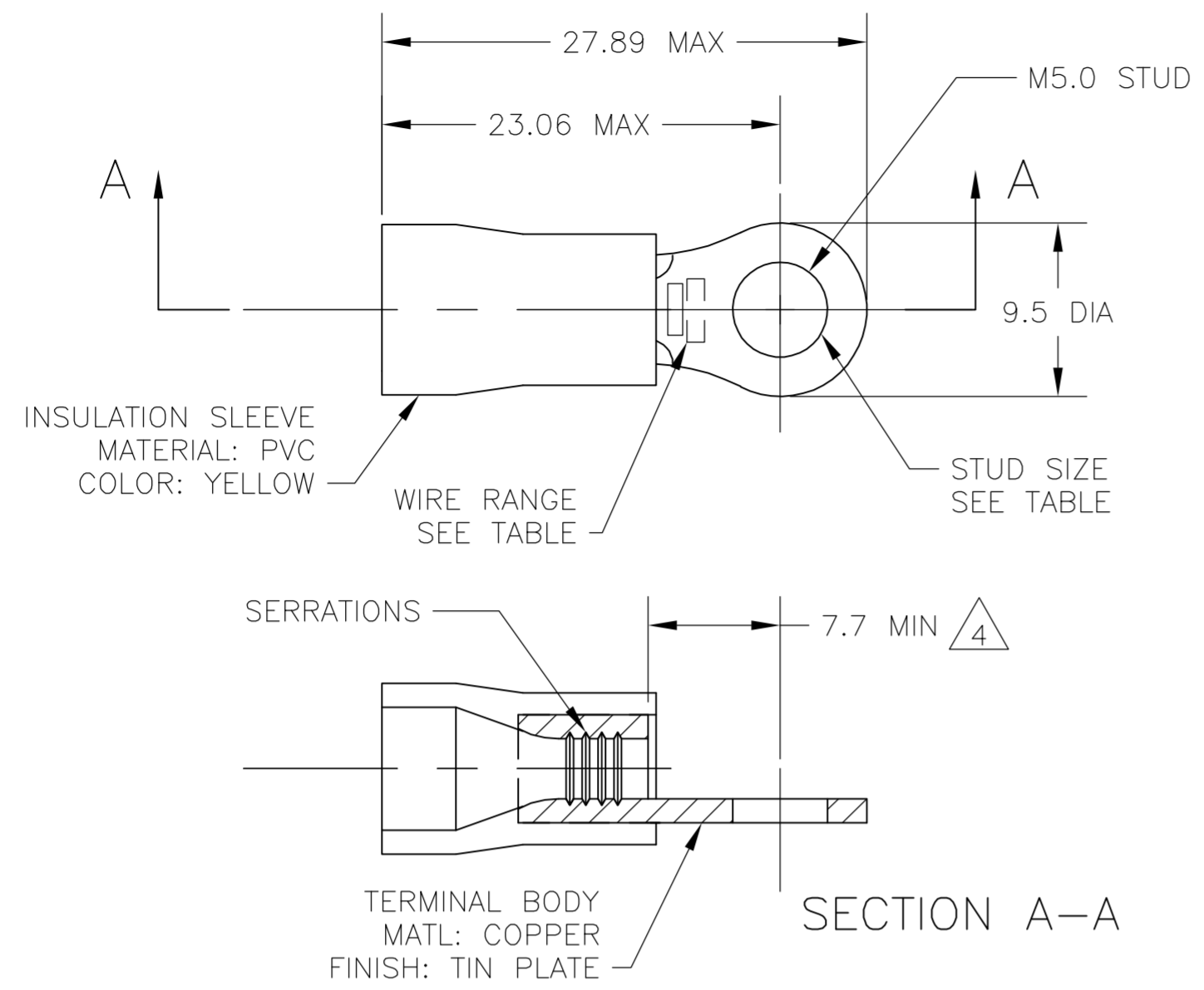


THIS DRAWING IS UNPUBLISHED. RELEASED FOR PUBLICATION
 © COPYRIGHT BY TYCO ELECTRONICS CORPORATION. ALL RIGHTS RESERVED.

LOC	DIST	REVISIONS			
P	LTR	DESCRIPTION	DATE	DWN	APVD
G	02	R1	REV PER ECR-06-001930	13FEB06	HMR TM



- 1 WIRE SIZE IS 12-10 AWG
- 2 WIRE INSULATION DIA: 3.8-6.4
- 3 MATERIAL THICKNESS IS 1.0
- △4 DIMENSION APPLIES FROM EDGE OF METAL WIRE BARREL TO END OF PIN.
- △5 SUPERSEDED BY 342184-1

POLY BAG WITH HEADER	STANDARD	50	△5 7-342184-1
PLASTIC BOX	STANDARD	50	△5 6-342184-1
TAPED MOUNTED	STANDARD	2500	2-342184-1
PLASTIC BAG	STANDARD	500	342184-1
PACKAGING	LABELLING	QTY	PART NO

THIS DRAWING IS A CONTROLLED DOCUMENT.		DWN jr ruth 02DEC05	Tyco Electronics Corporation Harrisburg, PA 17105-3608	
DIMENSIONS: INCHES		CHK T MICHELUTTI 02DEC05	NAME TERMINAL, RING TONGUE, PLASTI-GRIP,	
TOLERANCES UNLESS OTHERWISE SPECIFIED:		APVD T MICHELUTTI 02DEC05	PRODUCT SPEC	
0 PLC ± -		APPLICATION SPEC		
1 PLC ± 0.5		SIZE A2		
2 PLC ± -		CAGE CODE 00779		
3 PLC ± -		DRAWING NO C=342184		
4 PLC ± -		RESTRICTED TO		
ANGLES ± 1°		SCALE 5:1		
MATERIAL		SHEET 1 of 1		
FINISH		REV R1		
-		CUSTOMER DRAWING		